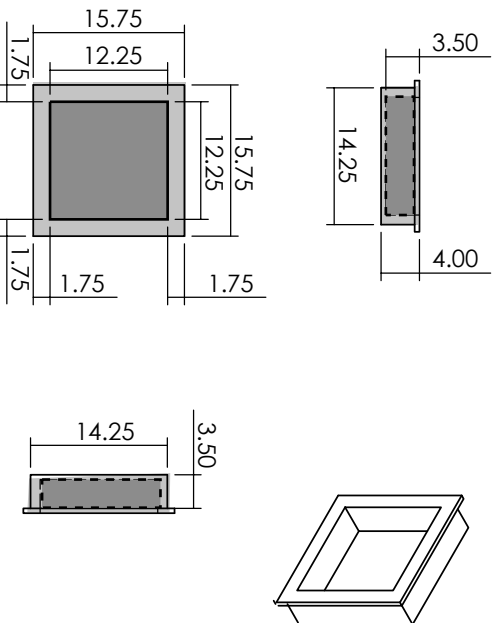
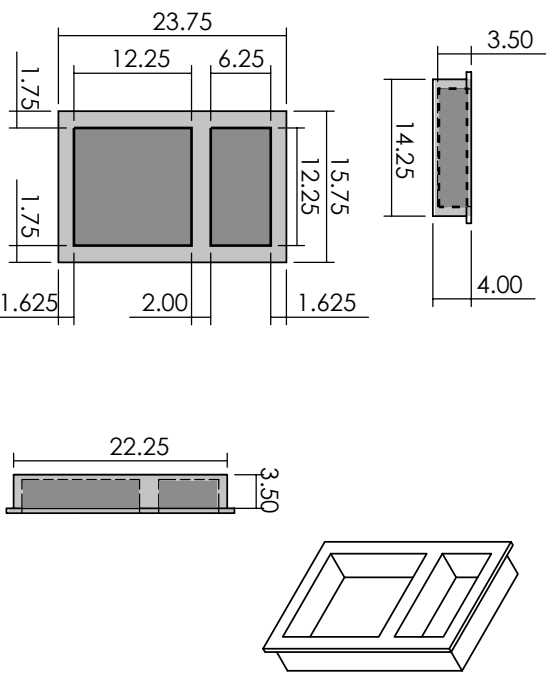


Fin Pan, Inc. PreFormed® Niche Dimensioned Drawings

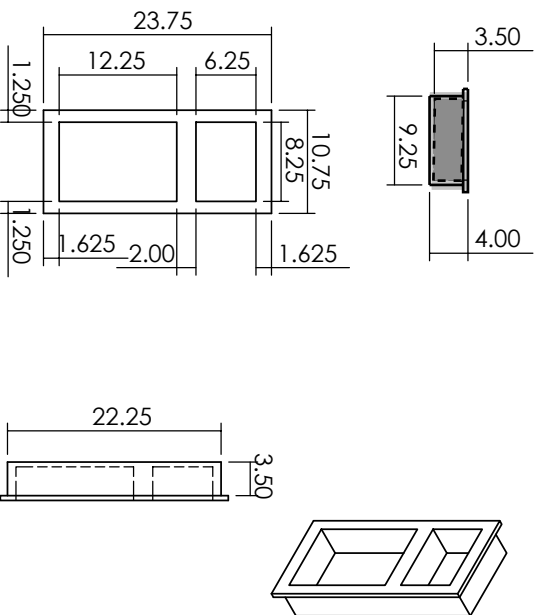
PF-301 Square



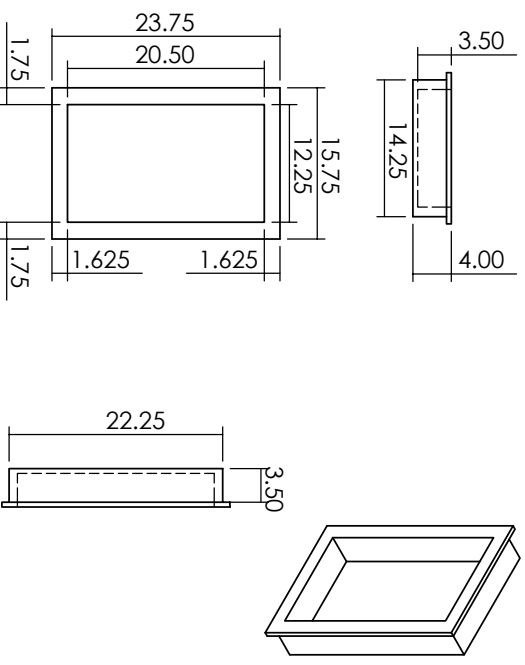
PF-304 Wide Combo



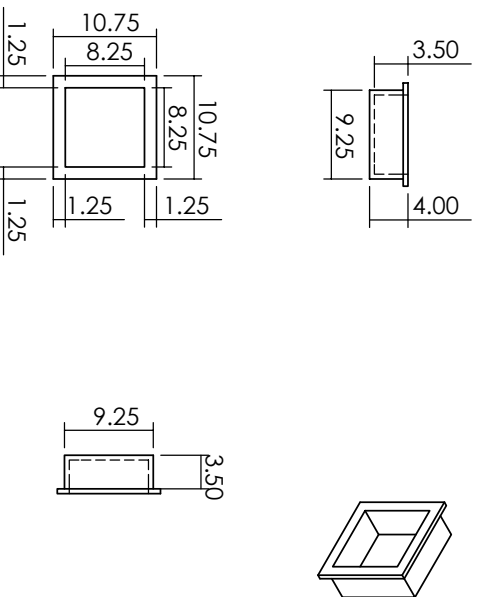
PF-305 Narrow Combo



PF-306 Mega Niche



PF-308 Soap Niche



Fin Pan, Inc., P.O.Box 411 Hamilton, OH 45012 (800) 833-6444

www.finpan.com

Flange Width on all PreForm® Niches is .75"
 Cavity Depth is 3.5"
 All Dimensions are nominal.
 ©2011 Fin Pan, Inc.